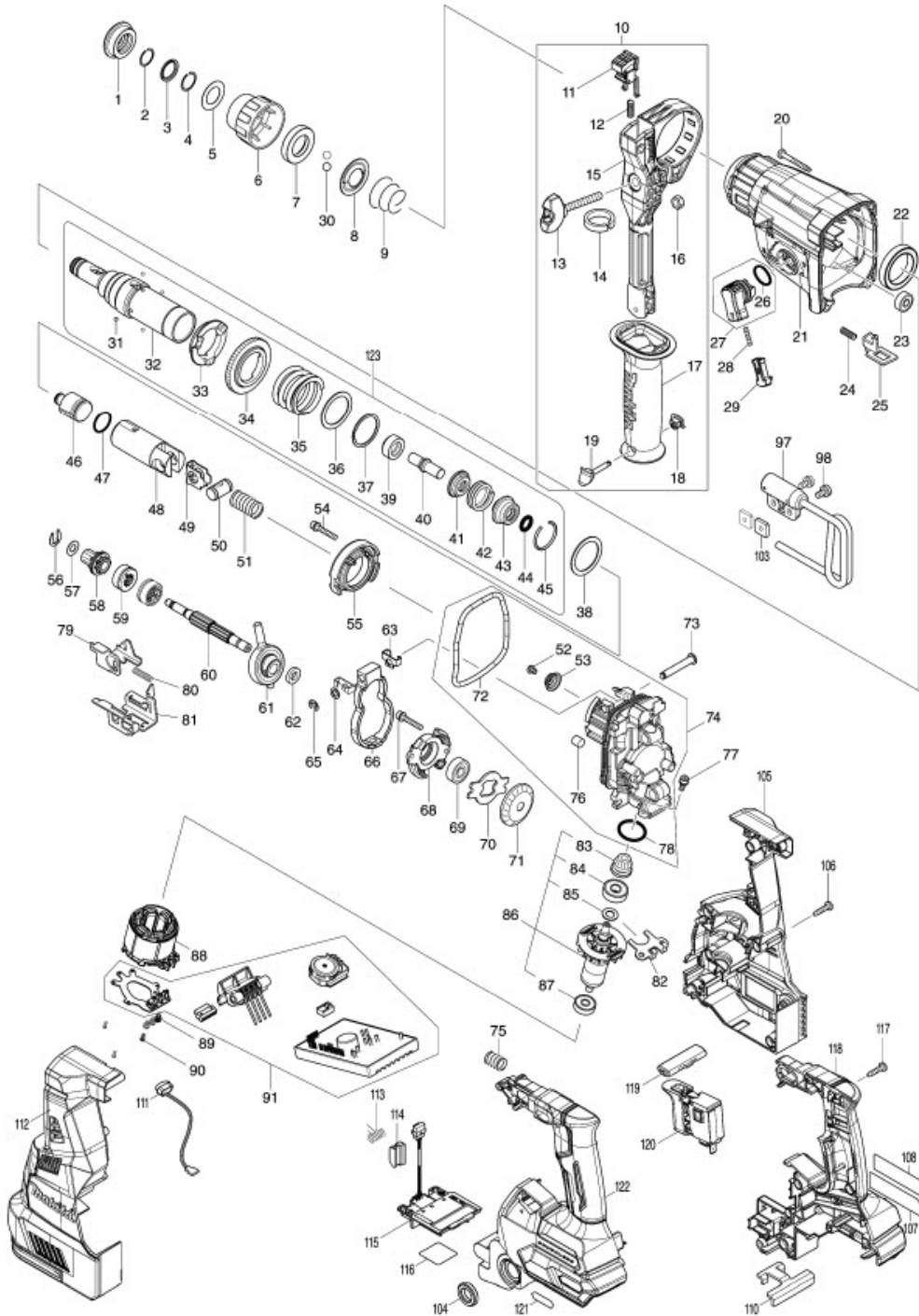


Part Diagram

Model No.HR003G 28MM CRDLS COMBINATION HAMMER



Item	Sub	Parts No.	Parts Description	Qty
1		286288-8	CAP 35	1
2		233989-9	RING SPRING 14	1
3		346834-0	WASHER 16	1
4		233992-0	RING SPRING 15	1
5		267114-0	FLAT WASHER 17	1
6		455393-4	CHUCK COVER	1
7		325813-1	RING 21	1
8		346177-0	GUIDE WASHER	1
9		233916-6	CONICAL COMP. SPRING 21-29	1
10		126882-3	GRIP ASSEMBLY	1
10	D10		INC. 11-19	
11		144959-2	LOCK BUTTON COMPLETE	1
12		233360-7	COMPRESSION SPRING 4	1
13		265625-9	THUMB SCREW M6X50	1
14		422258-5	SPONGE SHEET	1
15		458355-1	SIDE HANDLE BASE	1
16		931302-2	HEX. NUT M6	1
17		458357-7	GRIP 36	1
18		422255-1	CAP	1
19		161838-9	FIX PIN	1
20		266351-3	TAPPING SCREW 4X35	4
21		144965-7	GEAR HOUSING COMPLETE	1
21	C10	213345-9	OIL SEAL 25	1
21	C20	331890-3	CUP SLEEVE	1
22		211294-4	BALL BEARING 6806LLU	1
23		211012-0	BALL BEARING 606ZZ	1
24		233360-7	COMPRESSION SPRING 4	1
25		347228-2	LOCK PLATE	1
26		213278-8	O RING 17	1
27		135961-6	CHANGE LEVER ASSY	1
27	D10		INC. 26	
28		234264-6	COMPRESSION SPRING 3	1
29		457709-9	LOCK BUTTON	1
30		216022-2	STEEL BALL 7.0	2
31		216019-1	STEEL BALL 3	4
32		142972-4	TOOL HOLDER COMPLETE	1
32	C10	213344-1	OIL SEAL 9	1
33		332139-4	DRIVING FLANGE	1
34		227360-7	SPUR GEAR 51	1
35		234148-8	COMPRESSION SPRING 31	1
36		267153-0	FLAT WASHER 30	1
37		257932-4	SPIRO LOCK WASHER 30	1
38		267153-0	FLAT WASHER 30	1
39		325783-4	SLEEVE 9B	1
40		325789-2	IMPACT BOLT A	1
41		325792-3	WASHER 10	1
42		234149-6	COMPRESSION SPRING 20	1
43		325793-1	O-RING CASE B	1
44		213073-6	O RING 9	1
45		233979-2	RING SPRING 28	1
46		325784-2	STRIKER	1
47		213258-4	O RING 17.5	1
48		327079-9	PISTON CYLINDER	1
49		346036-8	GUIDE PLATE	1
50		324215-8	PISTON JOINT	
51		232449-8	COMPRESSION SPRING 14	
52		265A87-7	TORX SOCKET BUTTON BOLT M4X8	
53		347344-0	SPRING GUIDE	1

Item	Sub	Parts No.	Parts Description	Qty
54		922148-7	HEX. SOCKET HEAD BOLT M4X25	2
55		144960-7	INNER SUPPORT COMPLETE	1
56		257336-0	STOP RING EXT U-6	1
57		253186-1	FLAT WASHER 7	1
58		226170-9	SPUR GEAR 10	1
59		332125-5	CLUTCH CAM	2
60		327078-1	CAM SHAFT	1
61		219030-2	SWASH BEARING 10	1
62		257321-3	RING 8	1
63		346538-4	WEIGHT HOLDER GUIDE	2
64		253077-6	FLAT WASHER 6	1
65		961018-5	STOP RING E-5	1
66		310869-7	COUNTER WEIGHT	1
67		922148-7	HEX. SOCKET HEAD BOLT M4X25	2
68		319674-9	BEARING BOX	1
69		211032-4	BALL BEARING 608ZZ	1
70		347343-2	BEARING RETAINER B	1
71		221599-4	SPIRAL BEVEL GEAR 32	1
72		213850-6	O-RING 74	1
73		256536-9	FLAT FILLISTER HD PIN 6	1
74		136194-6	INNER HOUSING ASSY	1
74	D10		INC. 52,53,72,76,78	
75		232436-7	COMPRESSION SPRING 10	1
76		443153-6	FELT	1
77		922118-6	HEX. SOCKET HEAD BOLT M4X12	2
78		213008-7	O RING 22.4	1
79		347230-5	CHANGE PLATE B	1
80		234343-0	COMPRESSION SPRING 5	1
81		347229-0	CHANGE PLATE A	1
82		346536-8	BEARING RETAINER A	1
83		144964-9	SPIRAL BEVEL GEAR 11 COMPLETE	1
84		210024-0	BALL BEARING 608LLU	1
85		253835-0	FLAT WASHER 8	1
86		519513-5	ROTOR ASSY	1
86	D10		INC. 83-85,87	
87		210022-4	BALL BEARING 626DDW	1
88		629454-8	STATOR	1
89		652069-6	FLAT HEAD SCREW M3X6	3
90		266490-9	TAPPING SCREW PT 2X6	3
91		620B99-7	CONTROLLER	1
97		127344-4	HOOK ASSY	1
98		911211-1	PAN HEAD SCREW M5X12	2
103		264002-2	SQUARE NUT M5	2
104		459184-5	CUSHION RING 12	2
105		183N56-3	HOUSING SET	1
105	D10		INC. 112	
106		266326-2	TAPPING SCREW 4X18	8
107		856N55-5	HR003G NAME PLATE	1
108		8008C4-9	CLEAR LABEL	1
110		346039-2	SUPPORT PLATE	1
111		620549-0	LED CIRCUIT	1
112		183N56-3	HOUSING SET	1
112	D10		INC. 105	
113		233598-4	TORSION SPRING 6	1
114		313226-8	OPENER	1
115		632P64-8	TERMINAL UNIT	1
116		856N60-2	HR003G SERIAL NO. LABEL	1
117		266326-2	TAPPING SCREW 4X18	1
118		183N53-9	HANDLE SET	1

Item	Sub	Parts No.	Parts Description	Qty
118	C10	263005-3	RUBBER PIN 6	2
118	D10		INC. 122	
119		453124-5	F/R CHANGE LEVER	1
120		651439-6	SWITCH C3JR-4B-2	1
121		8005T5-8	XGT LOGO LABEL	1
122		183N53-9	HANDLE SET	1
122	C10	263005-3	RUBBER PIN 6	2
122	D10		INC. 118	
123		135966-6	TOOL HOLDER ASSY	1
123	D10		INC. 31-37,39-45	
A01		331886-4	DEPTH GAUGE	1
A02		194683-7	GREASE VESSEL SET	1
A03		443122-7	CLOTH	1
A05B		8007Y3-9	HR003GM201 PLASTIC CASE LABEL	2
A06B		8007Y2-1	HR003GM201 INDICATION LABEL	1
A07B		821552-6	CONNECTOR PLASTIC CASE (TYPE4)	1
A07B	C10	453974-8	LATCH	4
A08B		835C84-5	INNER TRAY	1
A11B		191B33-9	BATTERY BL4040 SET	2
A11-1B		191B26-6	BATTERY BL4040 SET	2
A12B		412393-7	BATTERY COVER	1
A13B		***DC40RA	DC40RA FAST CHARGER	1
A13B	D10		COMPO-PARTS	
B01		199233-3	HAMMER SERVICE KIT	1
B01	C10	195127-0	OIL VESSEL SET	2
B01	D10		INC. 1,2,4,30,44,45,47	